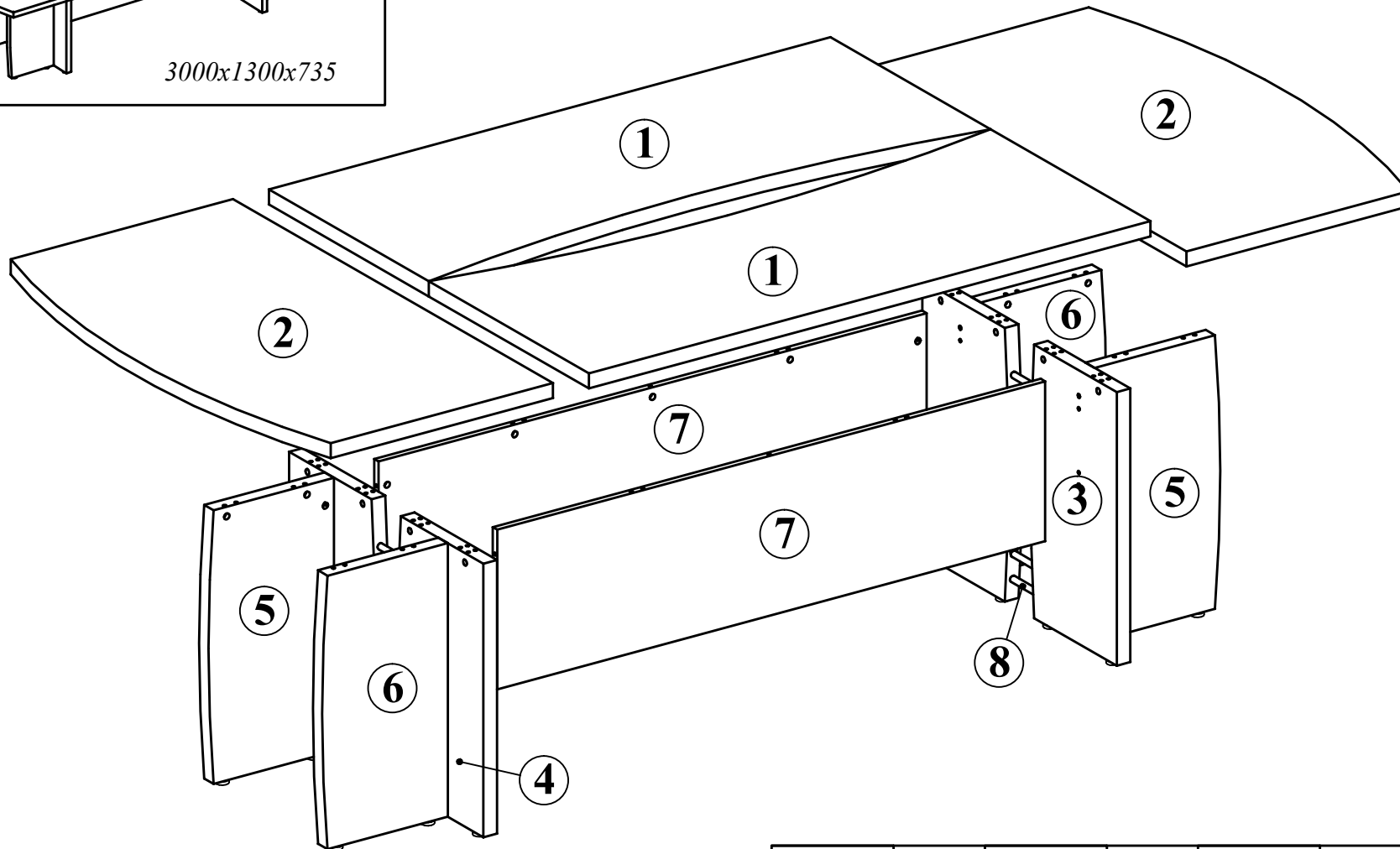
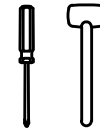


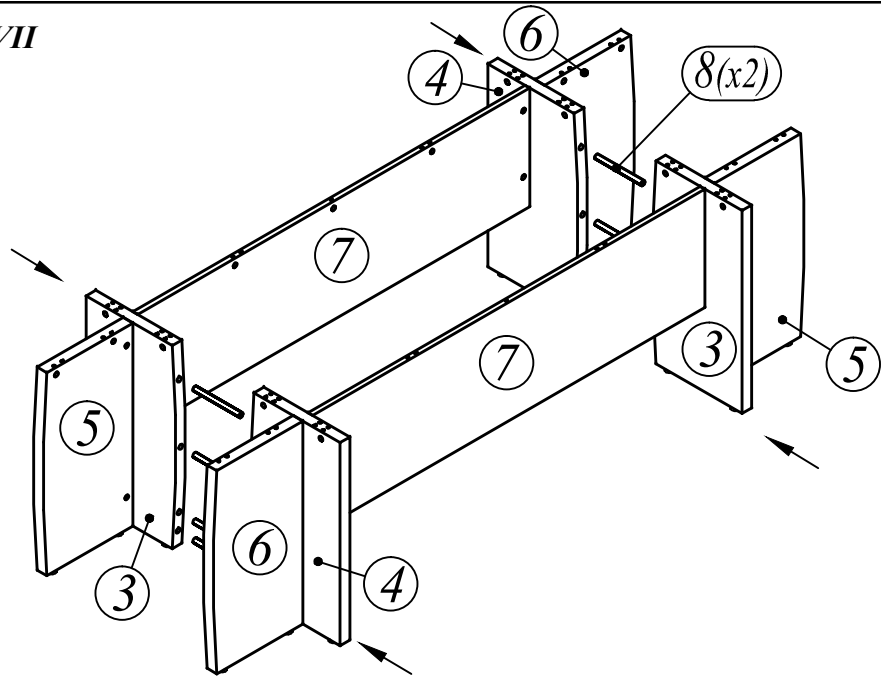
B 122

EAC

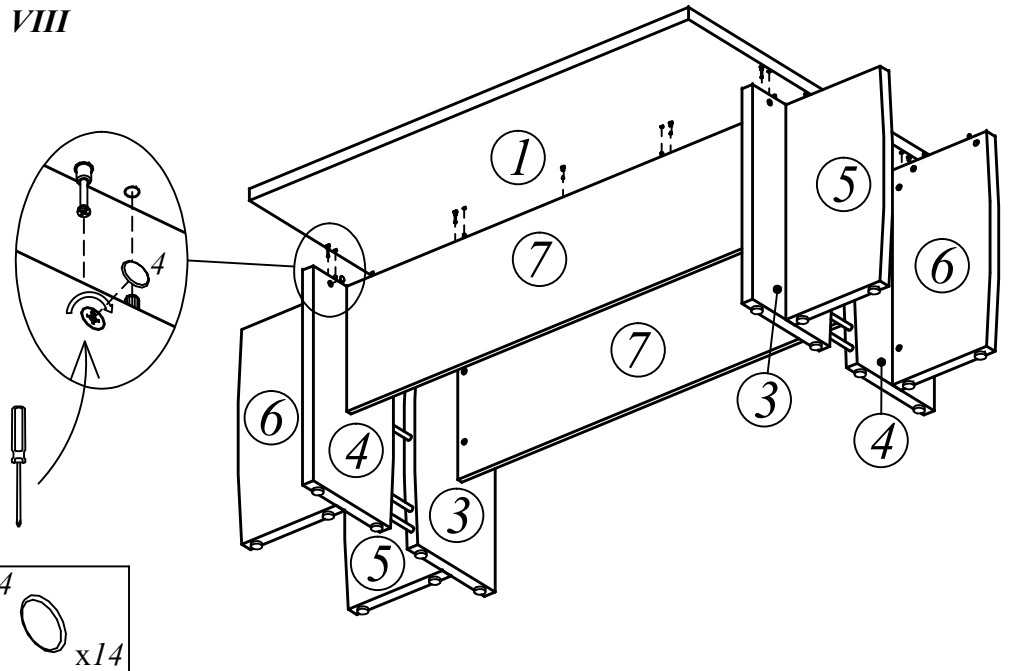


1		x48	2		x46	3		x46	4		x46
5		x16	6		x16	7		x4	8		x32
										3,5x16	

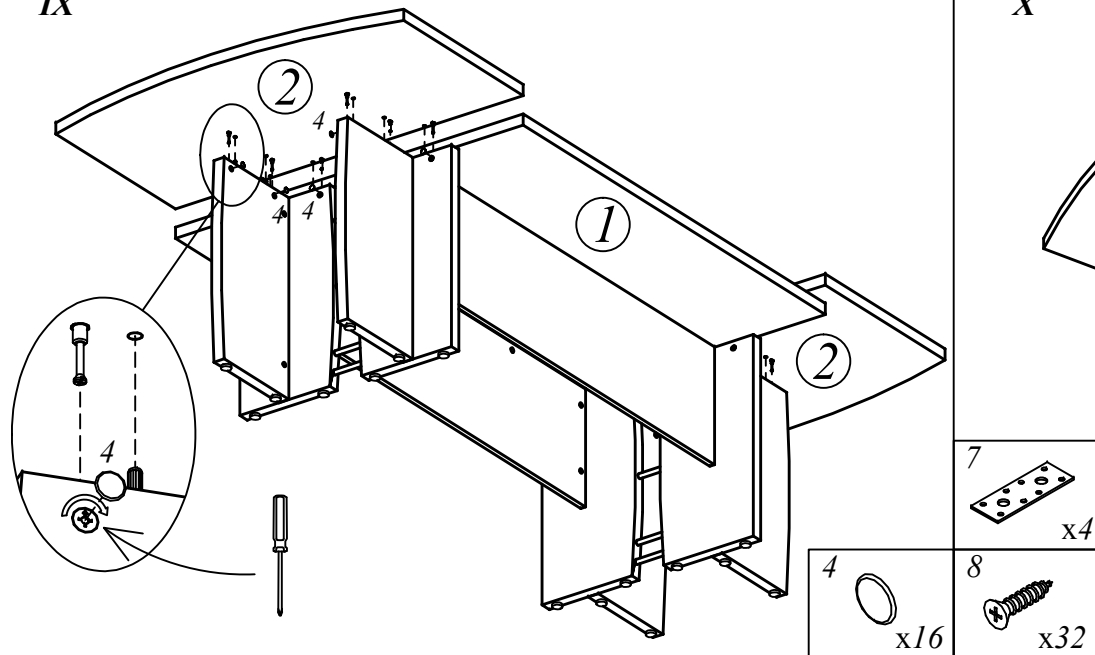
VII



VIII



IX



X

